

KAGO-6301

Rugged Industrial Edge PC

with Intel® Core™ i3/i5/i7/Pentium® CPU with 2x LAN, 4x PoE, 16-bit Iso. DIO



S001



T001



T001



- Intel® Kaby Lake-S/Skylake-S CPU up to 65W
- 1x DDR4 2400/2133MHz SO-DIMM, up to 16GB
- 1x DP, 1x DVI-I, Dual displays
- 2x LAN, 4x PoE (802.3af 15.4W)
- 4x USB3.0, 2x COM, 1x MIO, 16-bit Iso. DIO
- 1x PCIe x4 slot, 2x 32bit-PCI slot (T001)
- 1x miniPCIe (PCIe+USB), Support 4G LTE/WiFi/BT
- 1x mSATA, 1x 2.5" SATA3, dual storage
- 12~24V DC, Wide power supply
- Support wall mounting and Din-Rail mounting

	Items	Descriptions
System	CPU	6th Gen. Intel® Skylake-S, 7th Gen. Intel® Kaby Lake-S Pentium®/Core™ i3/i5/i7 CPU, LGA 1151 socket
	Chipset	Intel® H110
	Memory	1x 260-Pin SO-DIMM, DDR4 2133/2400 MHz, up to 16GB
	Expansion	1x full size miniPCIe (PCIe & USB) with SIM slot, support 4G LTE/WiFi/BT/CAN module, 1x PCIe x4 slot with 1x PCIe x1 signals (T001), 2x 32bit PCI support motion control card, acceleration card and other functions of the expansion card (T001)
	Graphics	Gen. 9th Intel® HD Graphics, HEVC/H265 HW HD En/Decoder, DP 1.2 max resolution 4096x2304@60Hz, DVI-I(DVI-D+VGA) DVI-D max. res. 1920*1200@60Hz, VGA max. res. 2560*1600@60Hz
	LAN	2x Intel® I210AT PCIe Gb Ethernet, 4x Intel® I210AT PCIe Gb Ethernet, with PoE function, 802.3af (15.4W)
	Storage	1x 2.5" SATA3.0 HDD / SSD bay 1x mSATA full size (SATA & USB2.0)
	Digital IO	16 bit DIO (20-pin phoenix): 8-bit Iso. DI (High: 5-24V, Low: 0-1.5V) and 8-bit Iso. DO (200mA)
	I/O Ports	2x RJ45 Gb LAN, 4x PoE (RJ45) 4x USB3.0 Type A 1x MIO with CAN Uart signal DB9 2x RS232/422/485 with TVS Iso. DB9 1x DP, 1x DVI-I 1x Audio out, 1x Mic
	LED	1x Power LED, 1x HDD LED, 3x CPU temperature control LED (Red is warning, Yellow is high, Green is normal)
	Control SW	1x Power button, 1x AT/ATX Select SW, 1x Clear CMOS Select SW
	Power Supply	DC 12~24V Input, 2x2-pin terminal connector, Consumption: TDP S001(12V/4.1A i7-6700T 4GB), T001(12V/4.4A i7-6700T 4GB)
	Watchdog Timer	Watchdog timeout programmable via software 1 to 255 seconds
	OS Support	RTOS: INtime, EC-Win, RTX-2014/2016 Ubuntu Preempt-RT Windows 10, Linux: Fedora, Ubuntu
Mechanical	Structure	Aluminum chassis, SGCC frame
	Color	Silver grey
	Mounting	Din-Rail mounting, wall mounting
	Dimension (WxHxD)	S001: 202x151x80.8mm, T001: 202x151x151mm
	Net weight	S001: 3kg, T001: 4.4kg
Environmental	Operating Temperature	-20°C ~ 65°C -wide operating temperature SSD, 0°C ~ 50°C regular SSD
	Storage Temperature	-40°C ~ 85°C
	Storage Humidity	10~90%@40°C, non-condensing
	Vibration	5 grms/5~500Hz/random/in working (SSD); 1 grms/5~500Hz/random/in working (HDD)
	Shock	50g peak acceleration (11ms duration) (SSD); 20g peak acceleration (11ms duration) (HDD)
	EMC	CE / FCC Class B

All data is for information purposes only and not guaranteed for legal purposes. Subject to change without notice. Information in this datasheet has been carefully checked and is believed to be accurate; however, no responsibility is assumed for inaccuracies. All brand or product names are trademarks or registered trademarks of their respective owners.

Ordering Information

Part No.	Descriptions
KAGO-6301/S001	Industrial Computer, Intel® Skylake-S/Kaby Lake-S LGA1151 CPU, H110 Chipset, 1xDDR4, 2xLAN, 4xPoE, 4xUSB3.0, 2xCOM, 1xMIO, 1xminiPCIe, 1xDVI-I, 1xDP, 16-bit Iso. DIO, 1x2.5" SATA bay, 1xM.2 SATA, DC 12~24V
KAGO-6301/T001	Industrial Computer, Intel® Skylake-S/Kaby Lake-S, LGA1151 CPU, H110 Chipset, 1xDDR4, 2xLAN, 4xPoE, 4xUSB3.0, 2xCOM, 1xMIO, 1xPCIe x4, 2x32bit-PCI, 1xmini PCIe, 1xDVI-I, 1xDP, 16-bit Iso. DIO, 1x2.5" SATA bay, 1xM.2 SATA, DC 12~24V
PA-120DC19	AC/DC power adapter, DC 19V/6.32A 120W

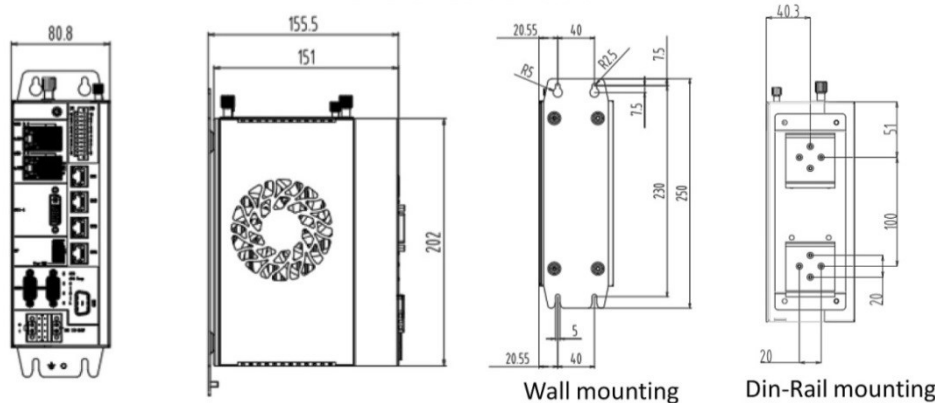
Supported CPUs

Series	Intel® Core™ CPU								Intel® Pentium® CPU			
7 th Gen	i3-7100	2C/4T	i5-7500	4C/4T	i7-7700	4C/8T	i3-7101TE	C2/C4	G4600	2C/4T	G4600T	2C/4T
	i3-7100T	2C/4T	i5-7500T	4C/4T	i7-7700T	4C/8T	i3-7100E	C2/C4				
6 th Gen	i3-6100	2C/4T	i5-6500	4C/4T	i7-6700		4C/8T		G4400	2C/2T	G4400T	2C/2T
	i3-6100T	2C/4T	i5-6500T	4C/4T	i7-6700T		4C/8T					

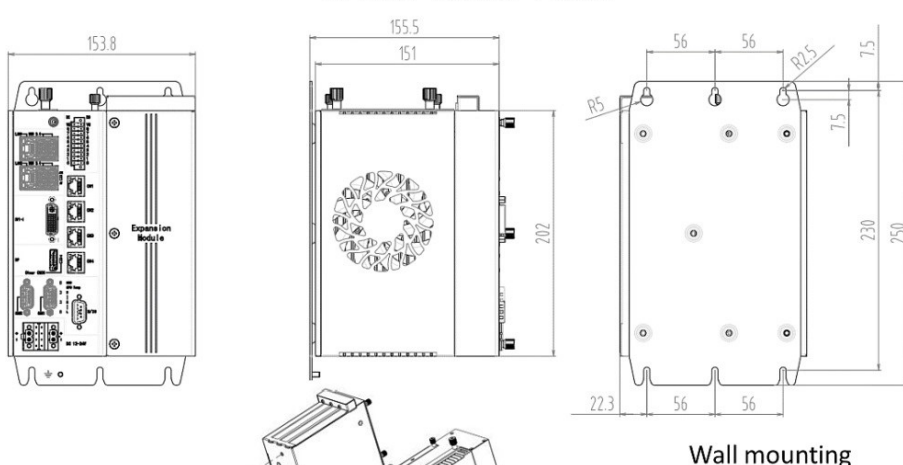
Dimension

Unit: mm

KAGO-6301-S001



KAGO-6301-T001



The extension module is connected with the host machine through card slot and mounting bracket for flexible installation and disassembly.