

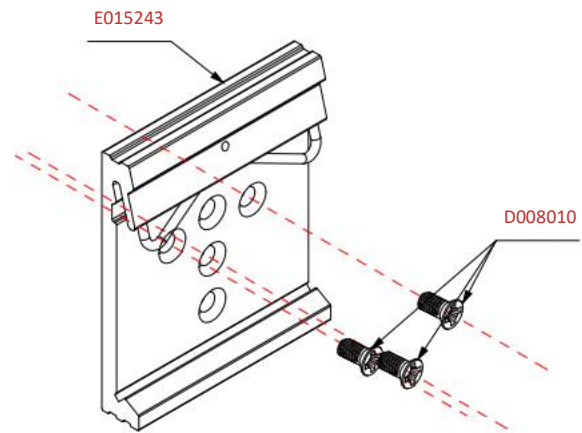
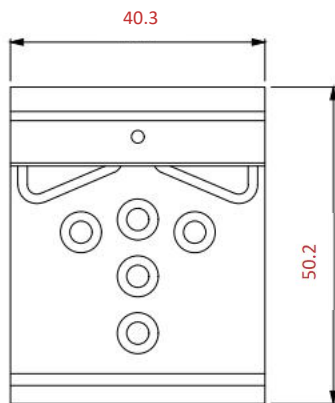
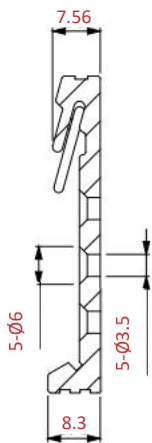
DIN RAIL MOUNTING KIT

PN: S050008



Technical Data

Mounting Type	Din Rail
Material	Aluminium, Stainless Steel
Weight	22.44 g
Screw Included	90 Deg Flat Head PH Screw M3 x 6 mm, 3 pcs
Dimensions	40.3*50.2*8.3 mm
RoHS Compliant	√
Related Products	R2000, R2000 Lite, R2000 Dual, R2000 Ent, R3000, R3000 Quad, R3000 LG, R3000 Lite, R3010,



Unit: mm